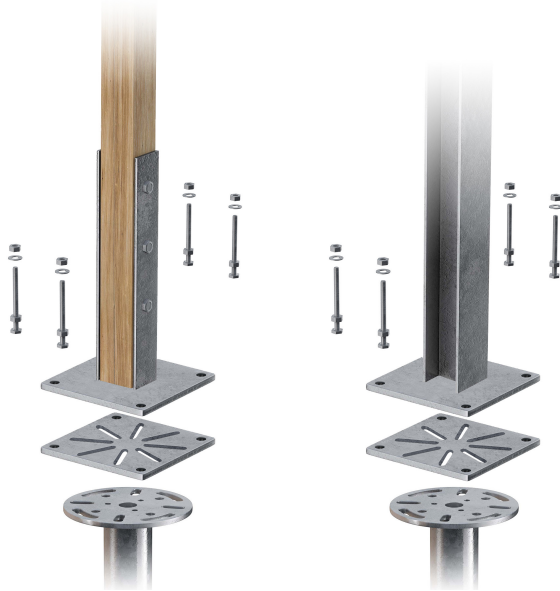


STOPDIGGING!®



CERTIFICATE

Material	ISO 630 FE 360A
Product	EN 1090
Galvanization	EN 1461
Manufacturing process	ISO 9001:2015
Installation process	ISO 9001:2015
* Expected min. service life	100 years

Special mounts

We already have a number of special mounts today, above you see a couple of examples, get in touch with us about your needs.



SINGLE PLATE Art 5059



DOUBLE PLATE Art 5058