

STOPDIGGING!®



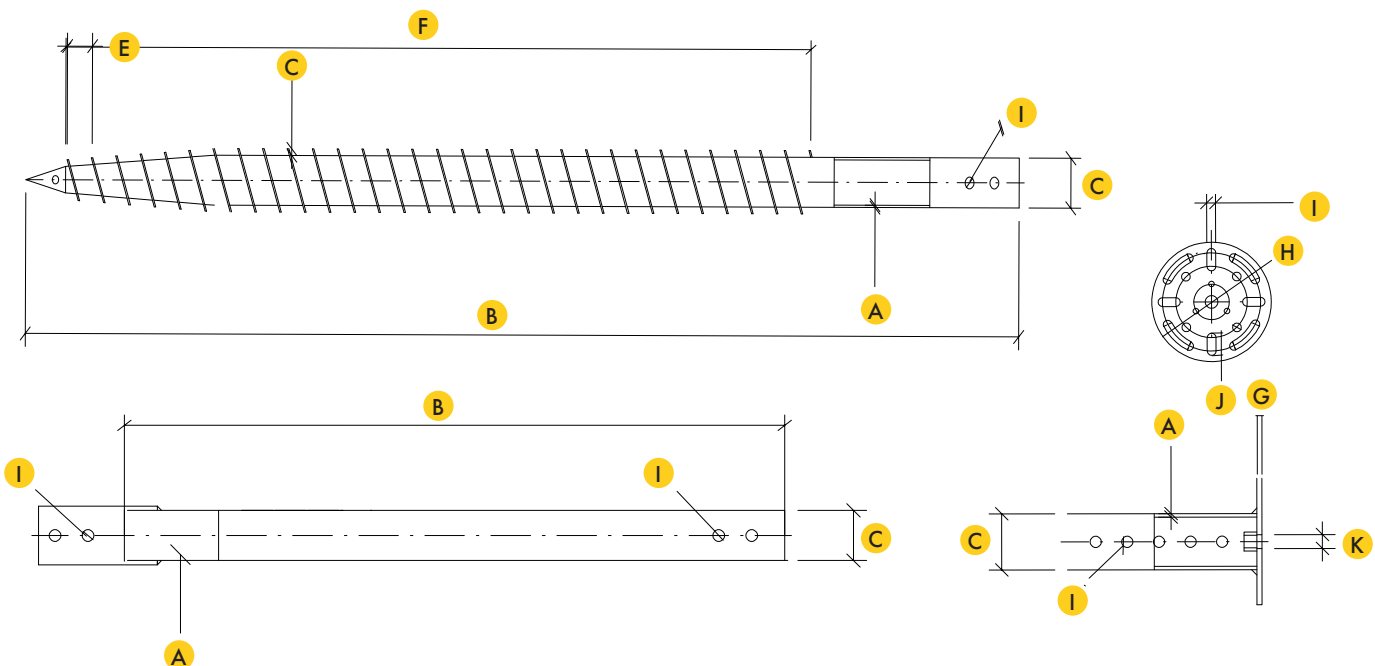
	SG	EX S	EX B	EX H C v2	
	Art no	4022	4021	4035	
A	Screw thickness	3,7		5,0	mm
B	Screw length	2000	1000		mm
C	Outer diameter	76		89	mm
D	Helix height	10			mm
E	Helix spacing	50			mm
F	Helix length	1500			mm
G	Thickness			8	mm
H	Plate diameter			200	mm
I	Fixing hole width	18	18	15	mm
J	Fixing hole length			60	mm
K	Thread, fixing holes			M20	

CERTIFICATE

Material	ISO 630 FE 360A
Product	EN 1090
Galvanization	EN 1461
Manufacturing process	ISO 9001:2015
Installation process	ISO 9001:2015
*Expected min. service life	100 years



Load capacity must be determined on site by pull-test



* Terms apply, see warranty terms