

STOPDIGGING!®



	SGC	865	1200	1600	2000	2500	
	Art no	4010	4011	4012	4013	4014	
A	Screw thickness	4			3,5		mm
B	Screw length	865	1200	1600	2000	2500	mm
C	Outer diameter	76					mm
D	Helix height	480	840	900			mm
E	Helix spacing	60					mm
F	Helix length	10					mm
G	Thickness	8					mm
H	Plate diameter	200					mm
I	Fixing hole width	15					mm
J	Fixing hole length	60					mm
K	Thread, fixing holes	M20					

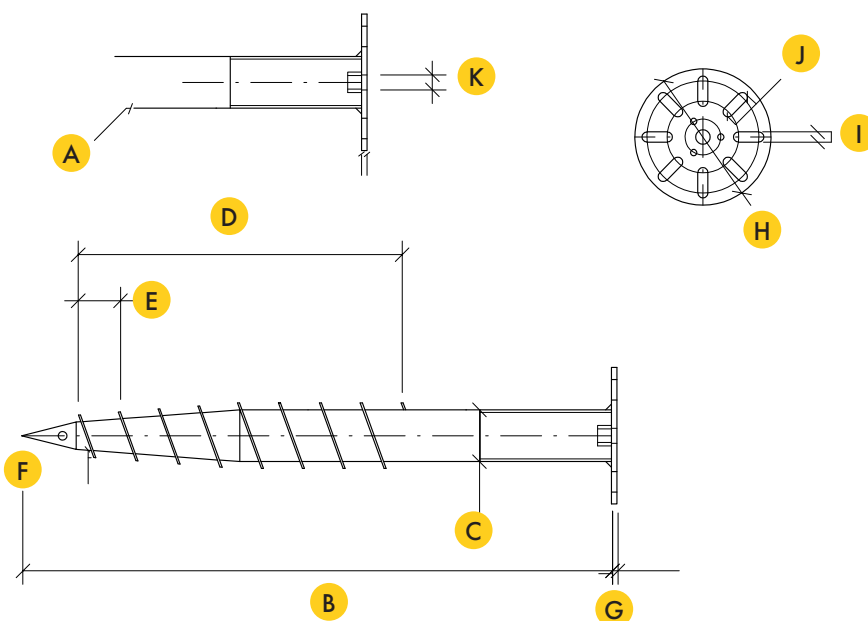
CERTIFICATE

Material	ISO 630 FE 360A
Product	EN 1090
Galvanization	EN 1461
Manufacturing process	ISO 9001:2015
Installation process	ISO 9001:2015
*Expected min. service life	125 years



Compression capacity	13,5	25,0	35,0	45,0	55,0	kN
Tensile capacity	7,0	12,5	21,5	34,0	41,5	kN
Lateral capacity	3,5	6,0	8,5	11,5	14,5	kN

Please note: SGC is replaced by SGC V2, see separate data sheet.



* Terms apply, see warranty terms